

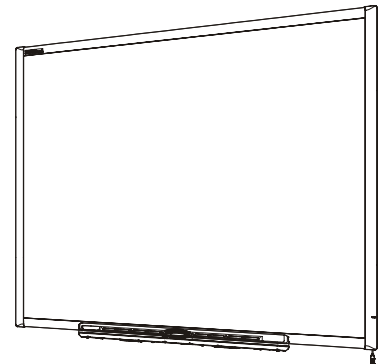
Specifications

SMART Board™ interactive whiteboard

Model 680

Physical specifications

Size	65 1/4" W × 49 1/2" H × 5 1/8" D (165.7 cm × 125.7 cm × 13 cm)
Active screen area (maximum interactive, projected image)	61 5/8" W × 46 1/8" H (156.5 cm × 117.2 cm) 77" diagonal (195.6 cm)
FS670 floor stand (with SB680 installed)	65 1/4" W × 67 3/4" to 81 3/4" H × 40 1/4" D (165.7 cm × 172.4 cm to 208 cm × 102.5 cm)
Weight	30 lb. (13.6 kg)
Shipping size	
1 unit	73 1/2" W × 54" H × 5 1/2" D (186.7 cm × 137.2 cm × 14 cm)
8 units on pallet	55" W × 78 1/2" H × 45" D (139.7 cm × 199.4 cm × 114.3 cm)
Shipping weight	
1 unit	45 lb. (20.5 kg)
8 units on pallet	380 lb. (172.7 kg)



All dimensions +/- 1/8" (0.3 cm). All weights +/- 2 lb. (0.9 kg)

Standard features

Software	SMART Notebook™ collaborative learning software included. See the SMART Notebook release notes for a complete list of system requirements. Software upgrades are available at smarttech.com/software .
Pen tray	Optical sensors in the pen tray detect when you lift a pen or eraser from the tray. LEDs show the active tool.
Pens and eraser	Black, blue, red and green pen tray pens and a rectangular eraser
Resolution	Touch resolution is approximately 4000 × 4000.
Screen surface	The hard-coated surface is tear-proof, optimized for projection, compatible with dry-erase markers and easily cleaned with whiteboard cleaner.
Digitizing technology	Resistive
Frame finish	Two-tone gray (approximates Pantone® Charcoal Gray 18-0601 TPX) and Ultrasonic Chrome (approximates metallic Pantone 877 C)
Wall-mount bracket	32" (81.3 cm) wide with five screws and five drywall anchors to support a wall-mounted interactive whiteboard
Computer connection	16' (5 m) USB 2.0 cable
Power requirements	Power is obtained from the computer directly through the USB cable for Windows®, Mac and Linux® computers. Power consumption is less than 1.5 W (300 mA at 5V).
Environmental compliance	China EIP, EU RoHS, EU and WEEE
Regulatory certification	CB (TUV), CE, CSA (U.S./Canada), FCC and VCCI
Warranty	Five-year limited equipment warranty upon registration. See warranty document for details.

NOTE

A digital projector isn't included with this model of SMART Board™ interactive whiteboard. To take advantage of all interactive features, you must integrate a digital projector.

Storage and operating specifications

Storage	-40°F to 120°F (-40°C to 50°C)
Operation	41°F to 95°F (5°C to 35°C) with up to 80% humidity, non-condensing

SMART order number

SB680	77" (195.6 cm) diagonal SMART Board interactive whiteboard
--------------	--

Optional accessories

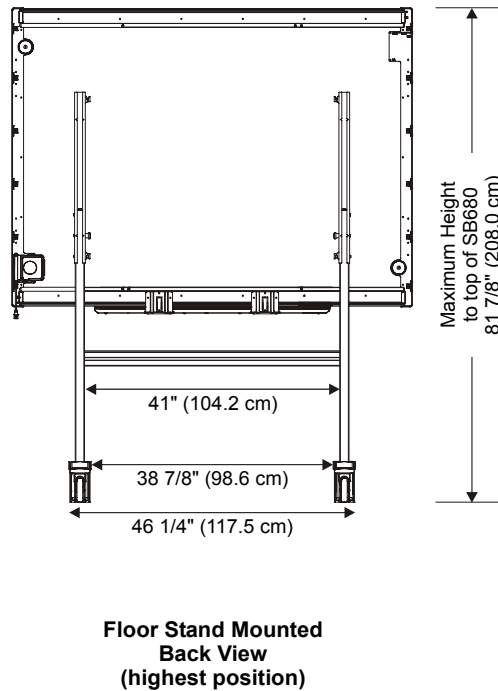
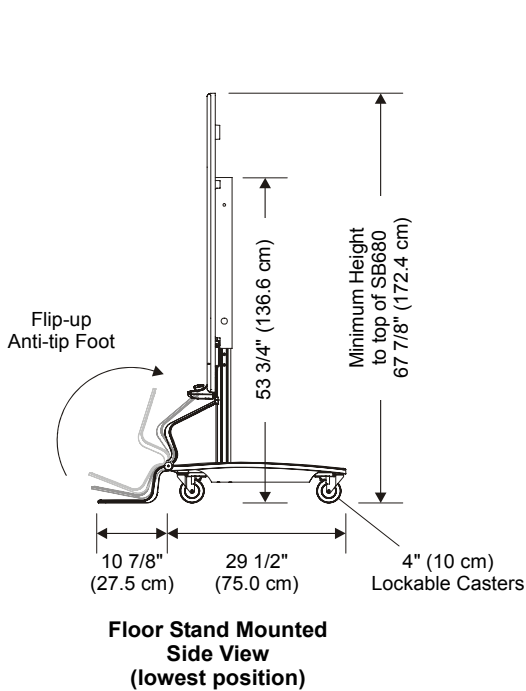
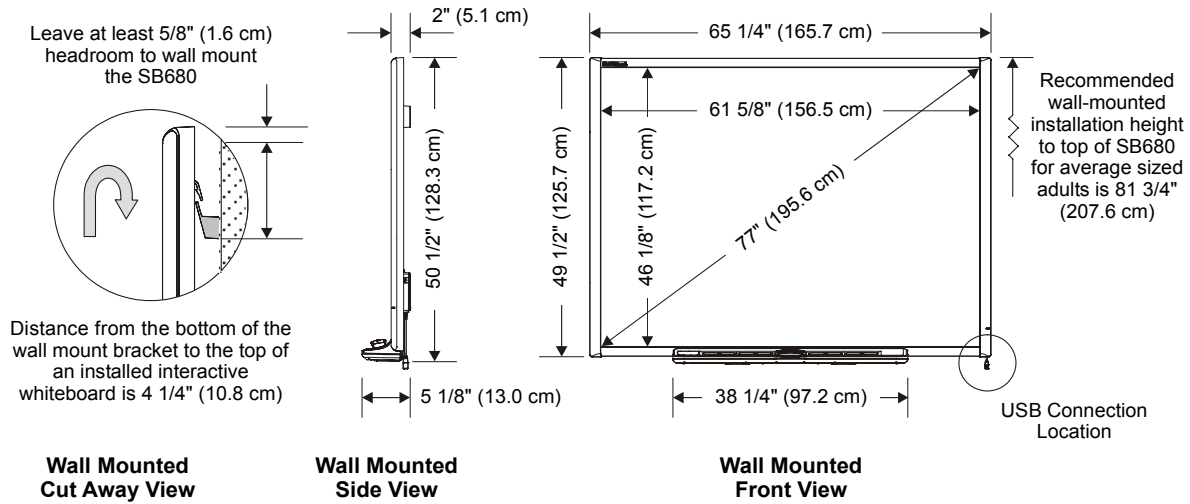
Part number	Description	NA	UK	AU
CCJ680	Padded cover with handles for the SMART Board 680 and D680 interactive whiteboards			
HSCJ-680	Hard shipping case for the SMART Board 680 and D680 interactive whiteboards and the FS670 floor stand			
FS670	Mobile floor stand with 4" (10.2 cm) lockable casters and flip-up anti-tip feet			
PMWT-680	Projector wall mount for an NEC WT600 or WT610 projector			
RS232-XX	RS-232 to USB conversion module that allows a serial connection to the interactive whiteboard as an alternative to USB	✓	✓	✓
WC6D-XX	Wireless Bluetooth® connection between the SMART Board interactive whiteboard and the computer	✓	✓	✓
SBA-XX	USB audio system with two 14 W speakers that mount to the interactive whiteboard or the wall	✓	✓	✓
SYSON6-XX	SystemOn expansion module wakes up the computer and turns on the projector with one button press	✓	✓	✓
USB-GW	GoWire™ SMART Notebook software auto-launch cable			
USB-XT	16' (5 m) USB active extension cable			
CAT5-XT	USB to Cat 5 cable extender set			
RPEN-ER	Replacement set of four pen tray pens (black, blue, red and green) and rectangular eraser			
RPEN	Replacement set of four pen tray pens (black, blue, red and green)			
SPT	Set of four pointers (blue, red, green and yellow)			

NOTE

Part numbers ending in XX include power supplies for the countries or regions indicated by ✓ in the columns to the right. When ordering, substitute XX in the part number with the appropriate country code, as follows:

- NA = U.S. and Canada
- UK = United Kingdom
- EU = European Union
- AU = Australia

Physical dimensions



www.smarttech.com/support www.smarttech.com/contactsupport
 Support +1.403.228.5940 or Toll Free 1.866.518.6791 (U.S./Canada)

